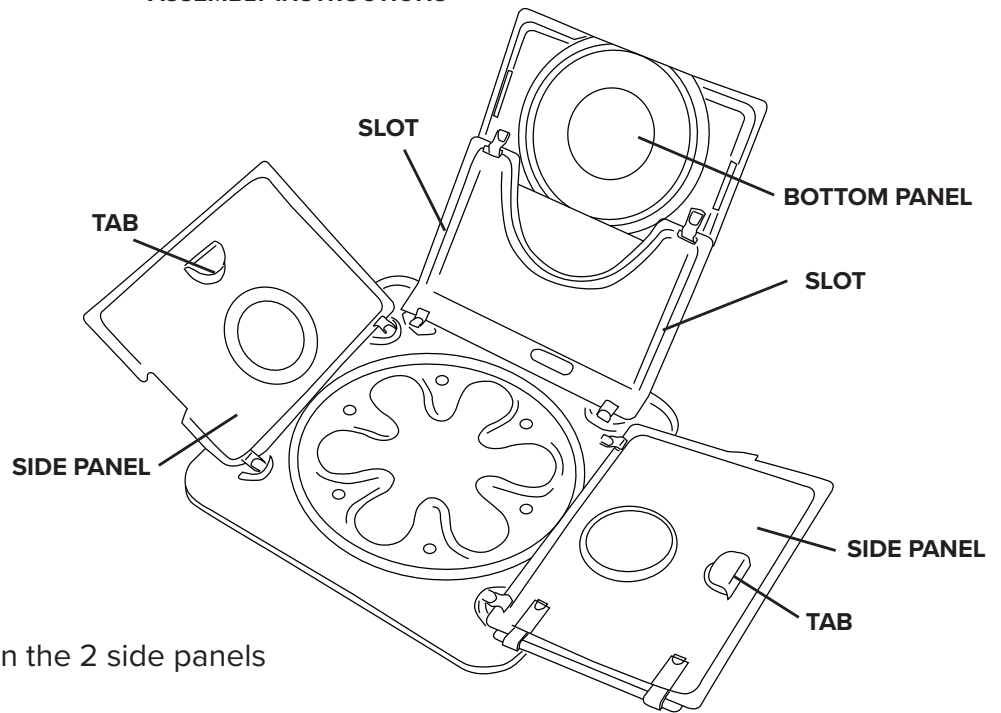
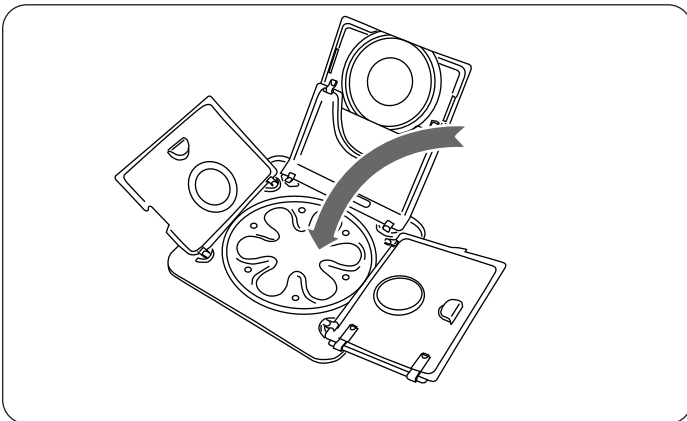


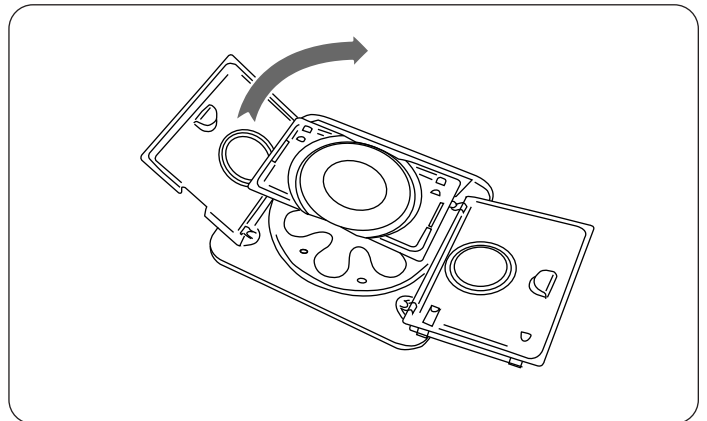
COGHLAN'S
FOLDING STOVE
ASSEMBLY INSTRUCTIONS



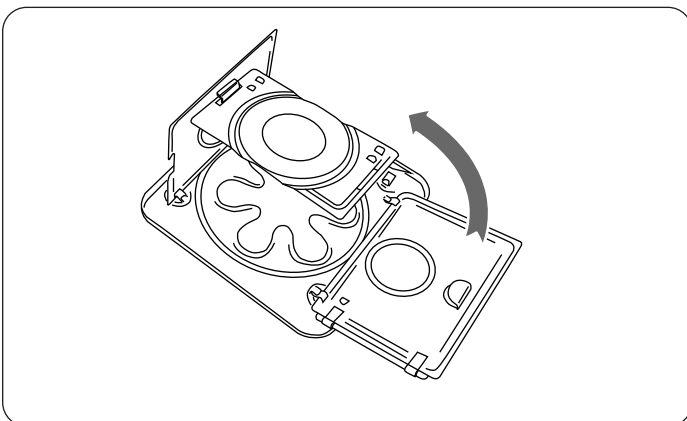
1) Flip upside-down and open the 2 side panels and bottom panel



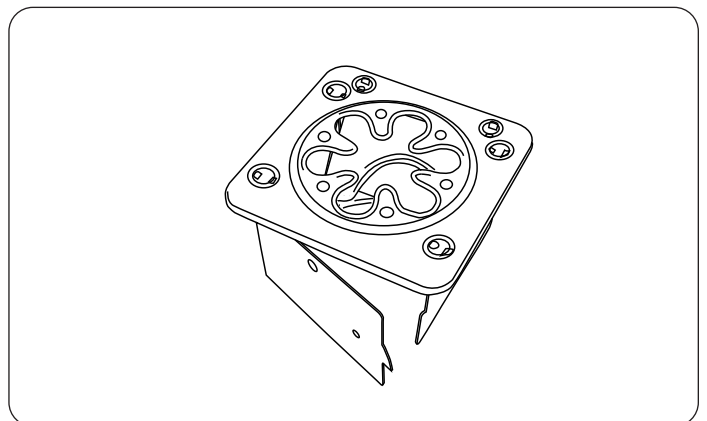
2) Fold the bottom panel over



3) Fold over one side panel and insert tab into slot on bottom panel



4) Fold over other side panel and insert tab into slot on bottom panel



5) Flip rightside-up